

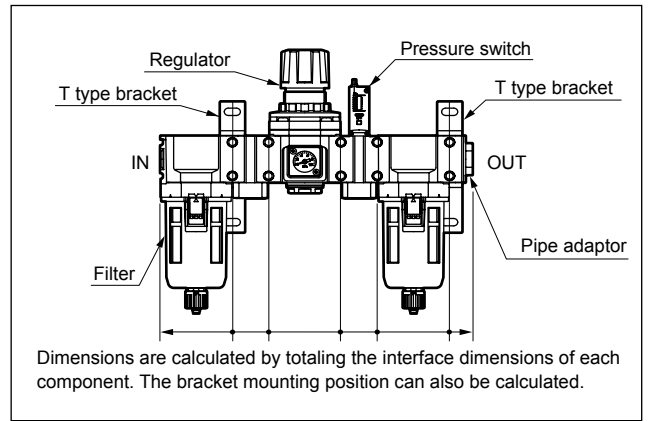
Custom combination specifications sheet

Overview

Custom combination is a customer-oriented service meeting various combination needs for each user. Complete the following specifications sheet before placing an order.

How to complete custom combination specifications sheet

- Refer to each section in this catalog by configuration for "How to order" and descriptions, etc.
- Combinations of 3000 and 4000 Series are available for products other than pressure switches. Use the specifications for C4000 in this case.



C3000 Series custom combination specifications

Contact Slip No. _____ Quantity Delivery date _____ Set /

Issued / /
Your company name _____
Contact _____
Purchase order No. _____

Model No.: **C3000-UN-** [] - []

Designate the direction of compressed air flow as seen from the front. Leave blank when selecting "blank".

Fluid direction	
Blank	Left → Right
X1	Right → Left

Technical confirmation No. _____

CKD Sales have the factory check indicated specifications, and indicate the number if OK.

One pipe adaptor is enclosed. This is not a two-piece set and so fill in the required fields.

For products with ★ mark, indicate up/down. For the regulator's knob direction, indicate up/down and the port up/down for other components.

Indicate the installation position from the left when seen from the front.

Part name	Interface dimen	Model No.	Direction	Installation position				Technical use field
Pipe adaptor	20	A400-UN-10-W						
Air filter	63	F3000-8-W		○				
Filter/regulator	63	W3000-W						
		W3100-W						
Regulator ★	63	R3000-8-W	Up		○			
		R3100-W						
Oil mist filter	63	M3000-8-W				○		
Lubricator	63	L3000-W						
Distributor ★	31.5	D401-UN-00-8-W	Down	○				
Distributor	42	D300-W						
Pressure switch	31.5	P4100-UN-8-W				○		
	80	P4000-W						
Shut-off valve	63	V3000-W						
L type pipe adaptor ★	31.5	A401-UN-W						
T type bracket set	*1	B310-UN-W		○			○	
Joiner set		C4000-J400-UN-W		○	○	○		

Sample form for the above product.

Write in this field when using products with different options and port sizes, etc.

CKD Sales have the factory check indicated specifications, and indicate the number if OK.

*1: The distance from pipe center to the mounting surface is 45 mm.

Caution

UN in the model No. indicates a single unit, which does not include a joiner set, etc. "UN" may also be indicated for the T type bracket set and joiner set. In this case, this is the model No. dedicated to custom combination.

Technical confirmation No. _____

Approval	Inspection	Contact

CKD will stamp a confirmation seal.

Technical Comment Field		

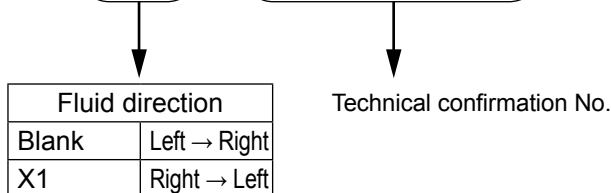
- F.R.L
- F (Filtr)
- R (Reg)
- L (Lub)
- PresSW
- Shutoff
- SlowStart
- FimResistFR
- Oil-ProhR
- MedPresFR
- No Cu/ PTFE FRL
- Outdrs FR
- F.R.L (Related)
- CompFRL
- LgFRL
- PrecsR
- VacF/R
- Clean FR
- ElecPneuR
- AirBoost
- SpdContr
- Silncr
- CheckV/ other
- Jnt/tube
- AirUnt
- PrecsCompn
- Mech/ ElecPresSW
- ContactSW
- AirSens
- PresSW Cool
- AirFloSens/ Contr
- WaterRISens
- TotAirSys (Total Air)
- TotAirSys (Gamma)
- RefrDry
- DesicDry
- HiPolymDry
- MainFiltr
- Dischrg etc
- Ending

C1000 Series custom combination specifications sheet

F.R.L
F (Filtr)
R (Reg)
L (Lub)
PresSW
Shutoff
SlowStart
FimResistFR
Oil-ProhR
MedPresFR
No Cu/
PTFE FRL
Outdrs FR
F.R.L
(Related)
CompFRL
LgFRL
PrecsR
VacF/R
Clean FR
ElecPneuR
AirBoost
SpdContr
Silncr
CheckV/
other
Jnt/tube
AirUnt
PrecsCompn
Mech/
ElecPresSw
ContactSW
AirSens
PresSW
Cool
AirFloSens/
Contr
WaterRtSens
TotAirSys
(Total Air)
TotAirSys
(Gamma)
RefrDry
DesicDry
HiPolymDry
MainFiltr
Dischrg
etc
Ending

Contact _____ Quantity _____ Set _____ Issued _____ / _____ / _____
 Slip No. _____ Delivery date _____ / _____ Your company name _____
 Contact _____
 Purchase order No. _____

● Model No.: **C1000-UN-** -



For products with ★ mark, indicate up/down.
 For the regulator's knob direction, indicate up/down and the port up/down for other components.

Indicate the installation position from the left when seen from the front.

Part name	Interface dimen	Model No.	Direction	Installation position	Technical use field
Pipe adaptor	21.5	A100-UN- -W			
Air filter	40	F1000- -W			
Filter/regulator	40	W1000- -W			
		W1100- -W			
Regulator ★	40	R1000- -W			
		R1100- -W			
Oil mist filter	40	M1000- -W			
Lubricator	40	L1000- -W			
Distributor ★	28	D101-UN-00- -W			
Pressure switch	28	P1100-UN- -W			
Shut-off valve	40	V1000- -W			
L type pipe adaptor ★	28	A101-UN- -W			
T type bracket set	*1	B110-UN-W			
Joiner set		C1000-J100-UN-W			

Caution

UN in the model No. indicates a single unit, which does not include a joiner set, etc.
 "UN" may also be indicated for the T type bracket set and joiner set. In this case, this is the model No. dedicated to custom combination.

Using pressure switch P□100-UN-W at the end of the combination requires that pipe adaptor A□00-UN-W be added at the end. (The horizontal direction port does not have threads.)

*1: The distance from pipe center to the mounting surface is 40mm.

Technical confirmation No. _____

Approval	Inspection	Contact

Technical Comment Field		

C2000 Series custom combination specifications sheet

Contact _____
Slip No. _____

Quantity _____ Set _____
Delivery date _____ / _____

Issued _____ / _____ / _____
Your company name _____
Contact _____
Purchase order No. _____

● Model No.: **C2000-UN-** -

Fluid direction	
Blank	Left → Right
X1	Right → Left

Technical confirmation No. _____

For products with ★ mark, indicate up/down.

For the regulator's knob direction, indicate up/down and the port up/down for other components.

Indicate the installation position from the left when seen from the front.

Part name	Interface dimen	Model No.	Direction	Installation position								Technical use field
				1	2	3	4	5	6	7	8	
Pipe adaptor	20	A400-UN- -W										
Air filter	50	F2000- -W										
	63	F3000- -W										
Filter/regulator	50	W2000- -W										
		W2100- -W										
Regulator ★	50	R2000- -W										
		R2100- -W										
Oil mist filter	50	M2000- -W										
	63	M3000- -W										
Lubricator	63	L3000- -W										
Distributor ★	31.5	D401-UN-00- -W										
Distributor	42	D300- -W										
Pressure switch	31.5	P4100-UN- -W										
	80	P4000- -W										
Shut-off valve	63	V3000- -W										
L type pipe adaptor ★	31.5	A401-UN- -W										
T type bracket set	*1	B310-UN-W										
Joiner set		C4000-J400-UN-W										

Caution

UN in the model No. indicates a single unit, which does not include a joiner set, etc.
"UN" may also be indicated for the T type bracket set and joiner set. In this case, this is the model No. dedicated to custom combination.

Using pressure switch P□100-UN-W at the end of the combination requires that pipe adaptor A□00-UN-W be added at the end. (The horizontal direction port does not have threads.)

Select the reverse regulator R2100-W or reverse filter regulator W2100-W when installing the shut-off valve V3000-W and lockout valve V3010-W onto the primary side of the regulator or filter regulator.

*1: The distance from pipe center to the mounting surface is 45 mm.

Technical confirmation No. _____

Approval	Inspection	Contact

Technical Comment Field		

- F.R.L
- F (Filtr)
- R (Reg)
- L (Lub)
- PresSW
- Shutoff
- SlowStart
- FmResistFR
- Oil-ProhR
- MedPresFR
- No Cu/ PTFE FRL
- Outdrs FR
- F.R.L (Related)
- CompFRL
- LgFRL
- PrecsR
- VacF/R
- Clean FR
- ElecPneuR
- AirBoost
- SpdContr
- Silncr
- CheckV/ other
- Jnt/tube
- AirUnt
- PrecsCompn
- Mech/ ElecPresSw
- ContactSW
- AirSens
- PresSW Cool
- AirFloSens/ Contr
- WaterRtSens
- TotAirSys (Total Air)
- TotAirSys (Gamma)
- RefrDry
- DesicDry
- HiPolymDry
- MainFiltr
- Dischrg etc
- Ending

C3000 Series custom combination specifications sheet

- F.R.L
- F (Filtr)
- R (Reg)
- L (Lub)
- PresSW
- Shutoff
- SlowStart
- FilmResistFR
- Oil-ProhrR
- MedPresFR
- No Cu/PTFE FRL
- Outdrs FR
- F.R.L (Related)
- CompFRL
- LgFRL
- PrecsR
- VacF/R
- Clean FR
- ElecPneurR
- AirBoost
- SpdContr
- Silncr
- CheckV/other
- Jnt/tube
- AirUnt
- PresCompn
- Mech/ElecPresSw
- ContactSW
- AirSens
- PresSW Cool
- AirFloSens/Contr
- WaterRtSens
- TotAirSys (Total Air)
- TotAirSys (Gamma)
- RefrDry
- DesicDry
- HiPolymDry
- MainFiltr
- Dischrg etc
- Ending

Contact _____ Quantity _____ Set _____
 Slip No. _____ Delivery date _____ / _____

Issued _____ / _____ / _____
 Your company name _____
 Contact _____
 Purchase order No. _____

● Model No.: **C3000-UN-** -

Fluid direction	
Blank	Left → Right
X1	Right → Left

Technical confirmation No. _____

For products with ★ mark, indicate up/down.
 For the regulator's knob direction, indicate up/down and the port up/down for other components.

Indicate the installation position from the left when seen from the front.

Part name	Interface dimen	Model No.	Direction	Installation position								Technical use field		
				1	2	3	4	5	6	7	8			
Pipe adaptor	20	A400-UN- -W												
Air filter	63	F3000- -W												
Filter/regulator	63	W3000- -W												
		W3100- -W												
Regulator ★	63	R3000- -W												
		R3100- -W												
Oil mist filter	63	M3000- -W												
Lubricator	63	L3000- -W												
Distributor ★	31.5	D401-UN-00- -W												
		D300- -W												
Pressure switch	31.5	P4100-UN- -W												
		80	P4000- -W											
Shut-off valve	63	V3000- -W												
L type pipe adaptor ★	31.5	A401-UN- -W												
T type bracket set	*1	B310-UN-W												
Joiner set		C4000-J400-UN-W												

Caution

UN in the model No. indicates a single unit, which does not include a joiner set, etc.
 "UN" may also be indicated for the T type bracket set and joiner set. In this case, this is the model No. dedicated to custom combination.

Using pressure switch P□100-UN-W at the end of the combination requires that pipe adaptor A□00-UN-W be added at the end. (The horizontal direction port does not have threads.)

*1: The distance from pipe center to the mounting surface is 45 mm.

Technical confirmation No. _____

Approval	Inspection	Contact

Technical Comment Field		

C4000 Series custom combination specifications sheet

Contact _____
Slip No. _____

Quantity _____ Set _____
Delivery date _____ / _____

Issued _____ / _____ / _____
Your company name _____
Contact _____
Purchase order No. _____

● Model No.: **C4000-UN-** -

*1: 20 mm for port sizes 8, 10 and 15, and 25 mm for port size 20.
*2: The distance from pipe center to the mounting surface is 55mm.

Fluid direction	
Blank	Left → Right
X1	Right → Left

Technical confirmation No. _____

For products with ★ mark, indicate up/down.
For the regulator's knob direction, indicate up/down and the port up/down for other components.

Indicate the installation position from the left when seen from the front.

Part name	Interface dimen	Model No.	Direction	Installation position										Technical use field	
				1	2	3	4	5	6	7	8	9	10		
Pipe adaptor	*1	A400-UN- -W													
Air filter	63	F3000- -W													
	80	F4000- -W													
Filter/regulator	63	W3000- -W													
		W3100- -W													
	80	W4000- -W													
		W4100- -W													
Regulator ★	63	R3000- -W													
		R3100- -W													
	80	R4000- -W													
		R4100- -W													
Oil mist filter	63	M3000- -W													
	80	M4000- -W													
Lubricator	63	L3000- -W													
	80	L4000- -W													
Distributor ★	31.5	D401-UN-00- -W													
Distributor	42	D300- -W													
Pressure switch	31.5	P4100-UN- -W													
	80	P4000- -W													
Shut-off valve	63	V3000- -W													
L type pipe adaptor ★	31.5	A401-UN- -W													
T type bracket set	*2	B410-UN-W													
Joiner set		C4000-J400-UN-W													

Caution

UN in the model No. indicates a single unit, which does not include a joiner set, etc.
"UN" may also be indicated for the T type bracket set and joiner set. In this case, this is the model No. dedicated to custom combination.
Using pressure switch P□100-UN-W at the end of the combination requires that pipe adaptor A□00-UN-W be added at the end. (The horizontal direction port does not have threads.)

Technical confirmation No. _____

Approval	Inspection	Contact

Technical Comment Field		

F.R.L
F (Filtr)
R (Reg)
L (Lub)
PresSW
Shutoff
SlowStart
FmResistFR
Oil-ProhR
MedPresFR
No Cu/ PTFE FRL
Outdrs FR
F.R.L (Related)
CompFRL
LgFRL
PrecsR
VacF/R
Clean FR
ElecPneuR
AirBoost
SpdContr
Silncr
CheckV/ other
Jnt/tube
AirUnt
PrecsCompn
Mech/ ElecPresSw
ContactSW
AirSens
PresSW Cool
AirFloSens/ Contr
WaterRtSens
TotAirSys (Total Air)
TotAirSys (Gamma)
RefrDry
DesicDry
HiPolymDry
MainFiltr
Dischrg etc
Ending

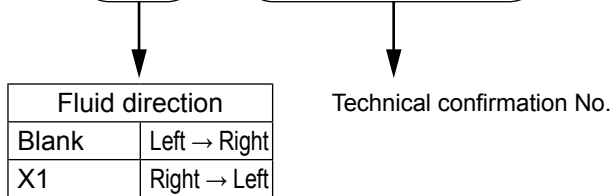
C6000 Series custom combination specifications sheet

F.R.L
F (Filtr)
R (Reg)
L (Lub)
PresSW
Shutoff
SlowStart
FimResistFR
Oil-ProhR
MedPresFR
No Cu/
PTFE FRL
Outdrs FR
F.R.L
(Related)
CompFRL
LgFRL
PrecsR
VacF/R
Clean FR
ElecPneuR
AirBoost
SpdContr
Silncr
CheckV/
other
Jnt/tube
AirUnt
PresCompn
Mech/
ElecPresSw
ContactSW
AirSens
PresSW
Cool
AirFloSens/
Contr
WaterRtSens
TotAirSys
(Total Air)
TotAirSys
(Gamma)
RefrDry
DesicDry
HiPolymDry
MainFiltr
Dischrg
etc
Ending

Contact _____ Quantity _____ Set _____
Slip No. _____ Delivery date _____ / _____

Issued _____ / _____ / _____
Your company name _____
Contact _____
Purchase order No. _____

● Model No.: **C6000-UN-** -



For products with ★ mark, indicate up/down.
For the regulator's knob direction, indicate up/down and the port up/down for other components.

Indicate the installation position from the left when seen from the front.

Part name	Interface dimen	Model No.	Direction	Installation position				Technical use field
Pipe adaptor	*1	A800-UN- -W						
Air filter	90	F6000- -W						
	100	F8000- -W						
Filter/regulator	100	W8000- -W						
		W8100- -W						
Regulator ★	90	R6000- -W						
		R6100- -W						
	100	R8000- -W						
		R8100- -W						
Oil mist filter	90	M6000- -W						
	100	M8000- -W						
Lubricator	100	L8000- -W						
Distributor ★	50	D801-UN-00- -W						
Pressure switch	50	P8100-UN- -W						
L type pipe adaptor ★	50	A801-UN- -W						
T type bracket set	*2	B810-UN-W						
Joiner set		C8000-J800-UN-W						

Caution

UN in the model No. indicates a single unit, which does not include a joiner set, etc.
"UN" may also be indicated for the T type bracket set and joiner set. In this case, this is the model No. dedicated to custom combination.

Using pressure switch P□100-UN-W at the end of the combination requires that pipe adaptor A□00-UN-W be added at the end. (The horizontal direction port does not have threads.)

Technical confirmation No. _____

Approval	Inspection	Contact

*1: Port sizes 20, 25 are 35 mm, 32 is 38 mm.
*2: The distance from pipe center to the mounting surface is 65mm.

Technical Comment Field		

C8000 Series custom combination specifications sheet

Contact _____
Slip No. _____

Quantity _____ Set
Delivery date _____ / _____

Issued _____ / _____ / _____
Your company name _____
Contact _____
Purchase order No. _____

● Model No.: **C8000-UN-** -

Fluid direction	
Blank	Left → Right
X1	Right → Left

Technical confirmation No. _____

*1: 35 mm for port sizes 20 and 25, and 38 mm for 32.

*2: The distance from pipe center to the mounting surface is 65mm.

For products with ★ mark, indicate up/down.

For the regulator's knob direction, indicate up/down and the port up/down for other components.

Indicate the installation position from the left when seen from the front.

Part name	Interface dimen	Model No.	Direction	Installation position								Technical use field
				1	2	3	4	5	6	7	8	
Pipe adaptor	*1	A800-UN- -W										
Air filter	100	F8000- -W										
Filter/regulator	100	W8000- -W										
		W8100- -W										
Regulator ★	100	R8000- -W										
		R8100- -W										
Oil mist filter	100	M8000- -W										
Lubricator	100	L8000- -W										
Distributor ★	50	D801-UN-00- -W										
Pressure switch	50	P8100-UN- -W										
L type pipe adaptor ★	50	A801-UN- -W										
T type bracket set	*2	B810-UN-W										
Joiner set		C8000-J800-UN-W										

Caution

UN in the model No. indicates a single unit, which does not include a joiner set, etc.
"UN" may also be indicated for the T type bracket set and joiner set. In this case, this is the model No. dedicated to custom combination.

Using pressure switch P□100-UN-W at the end of the combination requires that pipe adaptor A□00-UN-W be added at the end. (The horizontal direction port does not have threads.)

Technical confirmation No. _____

Approval	Inspection	Contact

Technical Comment Field		

- F.R.L
- F (Filtr)
- R (Reg)
- L (Lub)
- PresSW
- Shutoff
- SlowStart
- FimResistFR
- Oil-ProhR
- MedPresFR
- No Cu/ PTFE FRL
- Outdrs FR
- F.R.L (Related)
- CompFRL
- LgFRL
- PrecsR
- VacF/R
- Clean FR
- ElecPneuR
- AirBoost
- SpdContr
- Silncr
- CheckV/ other
- Jnt/tube
- AirUnt
- PrecsCompn
- Mech/ ElecPresSw
- ContactSW
- AirSens
- PresSW Cool
- AirFloSens/ Contr
- WaterRtSens
- TotAirSys (Total Air)
- TotAirSys (Gamma)
- RefrDry
- DesicDry
- HiPolymDry
- MainFiltr
- Dischrg etc
- Ending